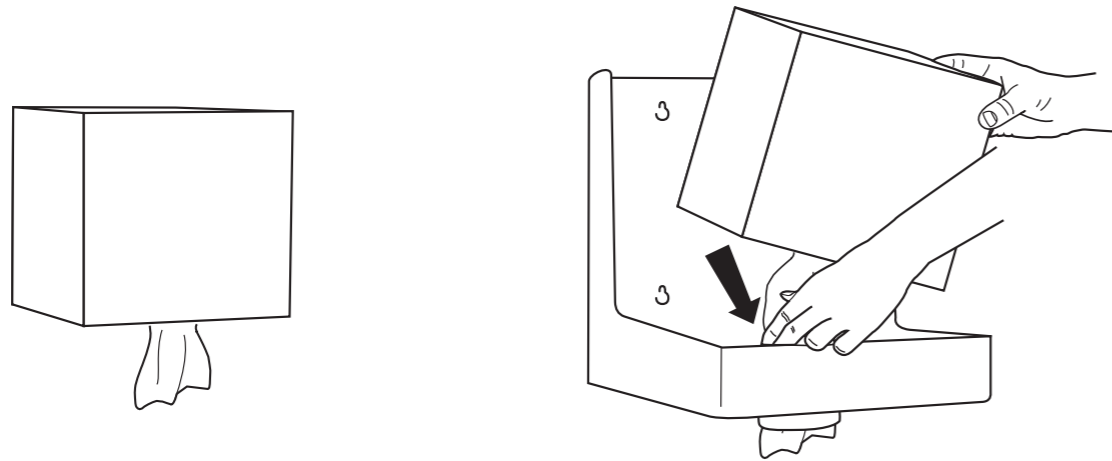
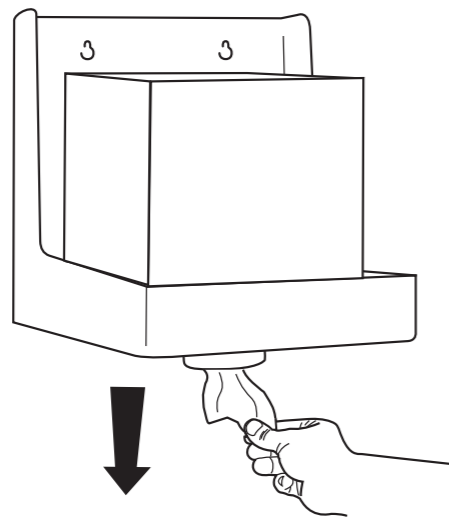


1.

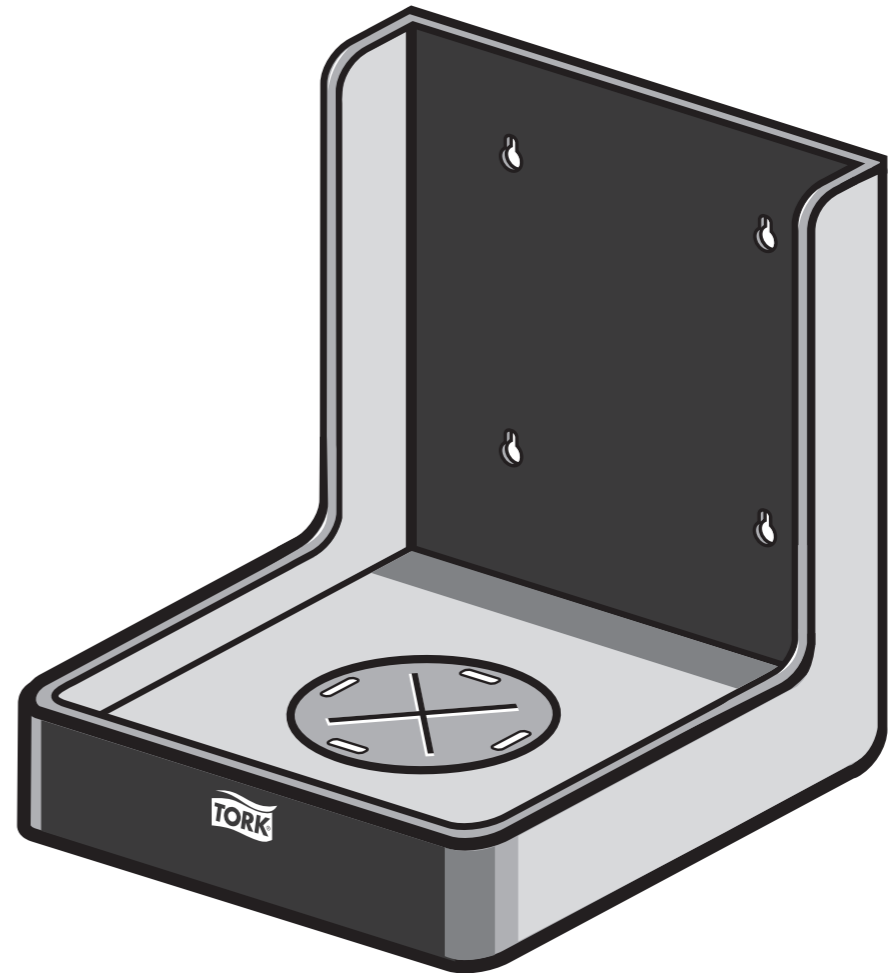


2.



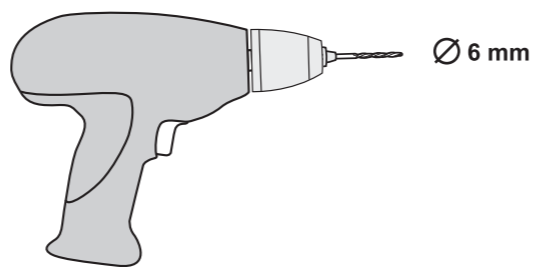
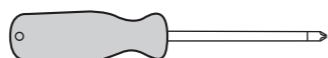
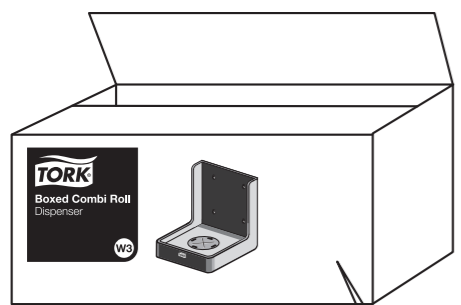
3.

essity Manufactured by Essity Hygiene and Health AB
 SE-40503 Göteborg, Sweden
 Visiting address: Mölndals Bro 2, Mölndal
 www.essity.com, www.torkglobal.com
 Made in Germany
 Patents/Brevets/Patentes: www.essity.com/patents

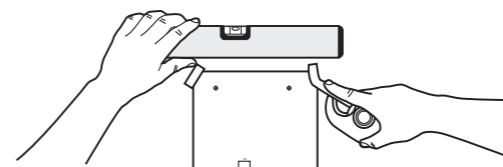
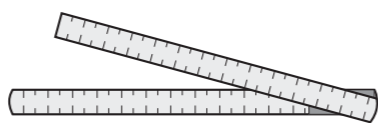


www.torkglobal.com

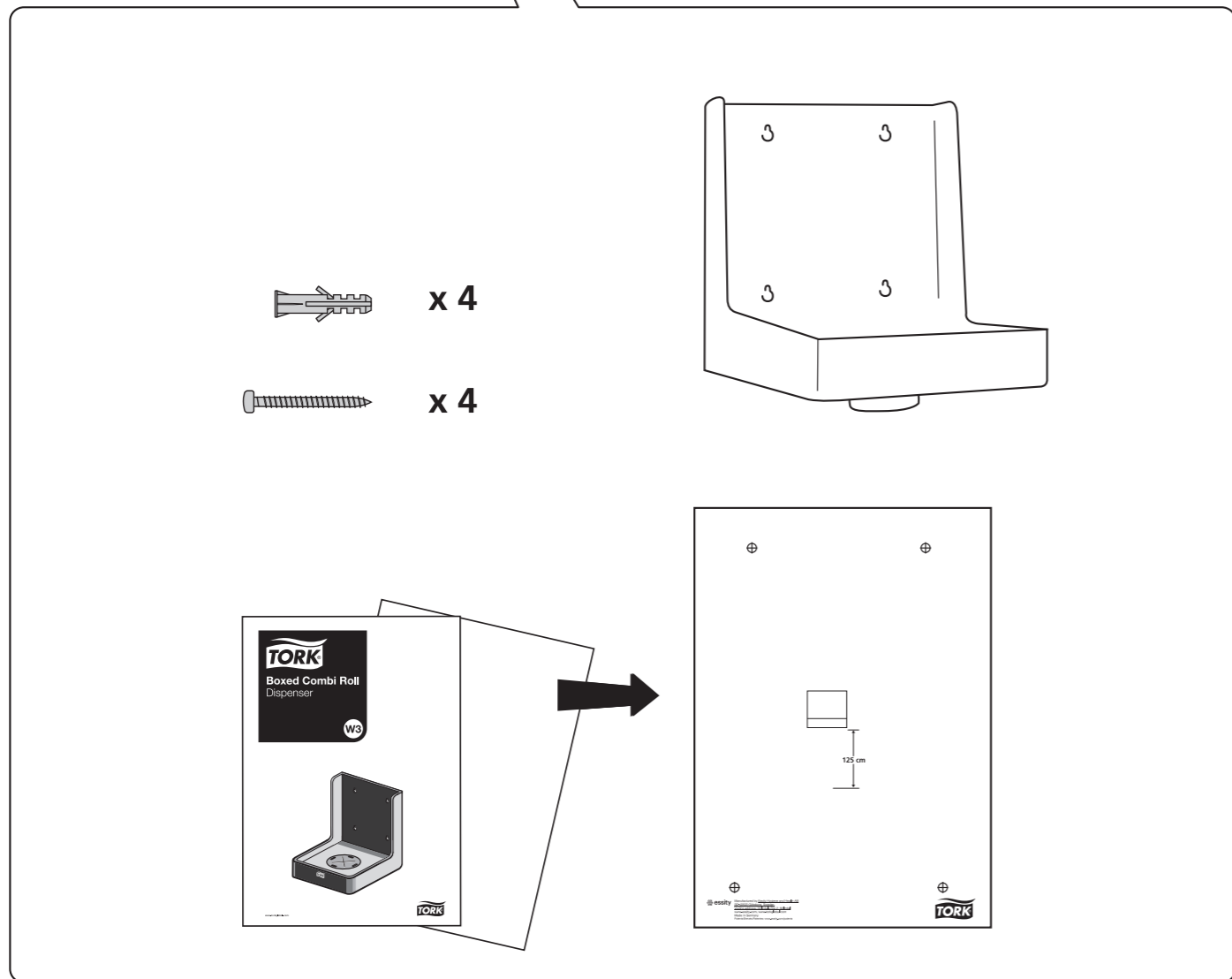
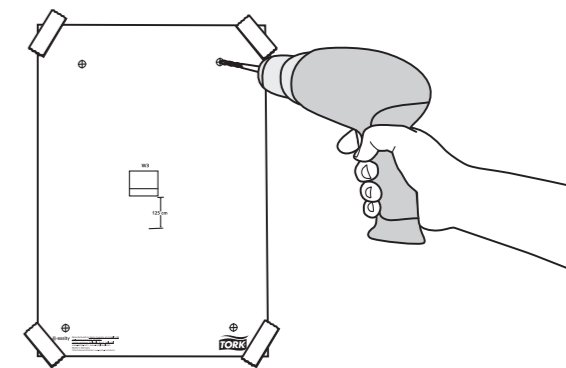






Ø 6 mm



125 cm



 x 4
 x 4

