

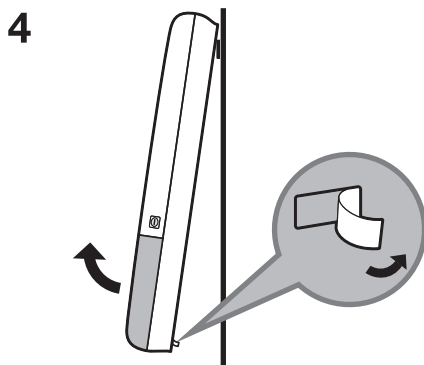
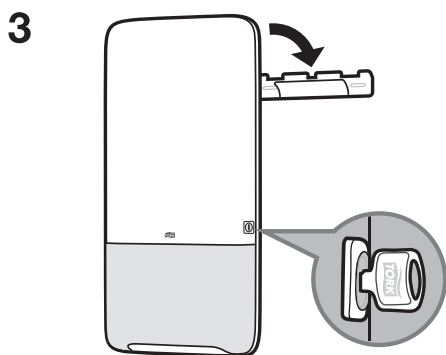
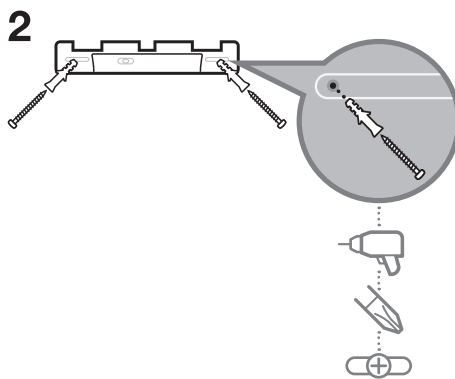
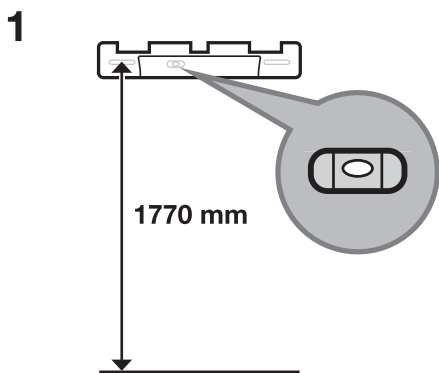
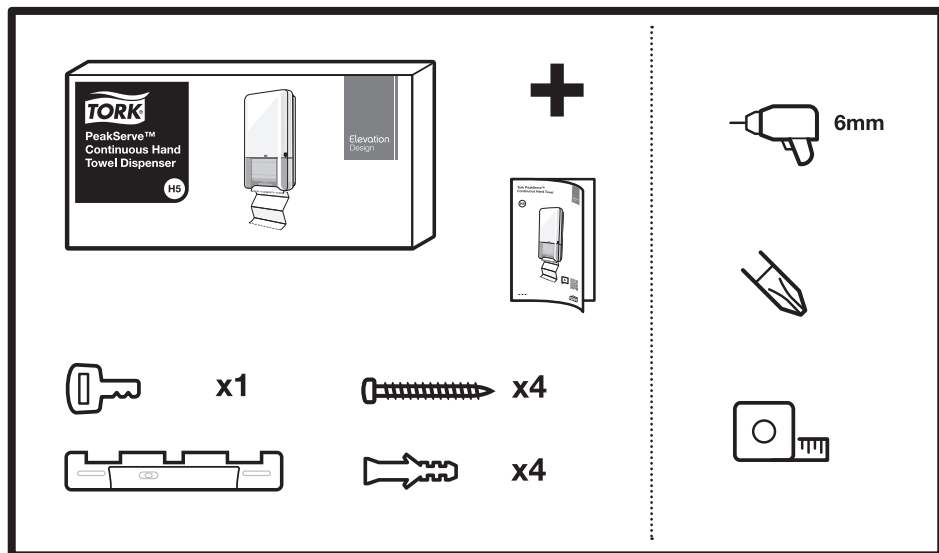
Tork PeakServe® Continuous Hand Towel

Elevation
Design

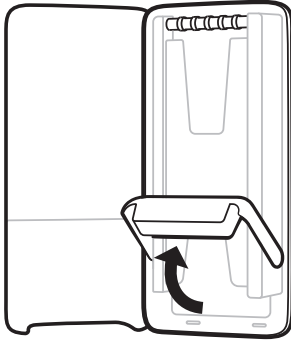
H5



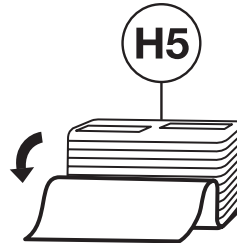
Tork PeakServe® Continuous Hand Towel



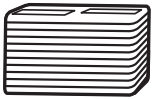
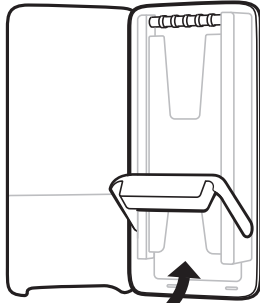
5



6

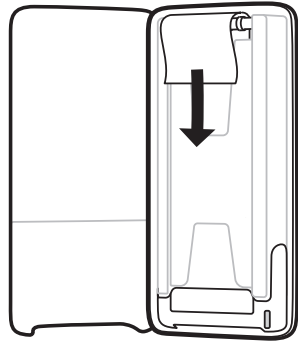


7

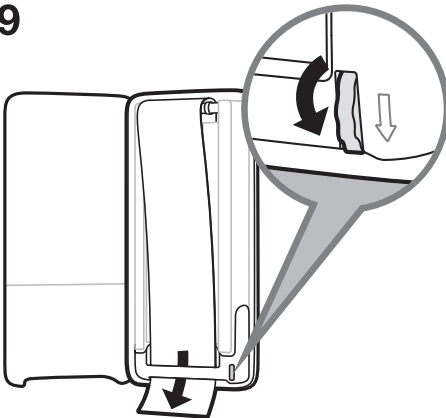


x5

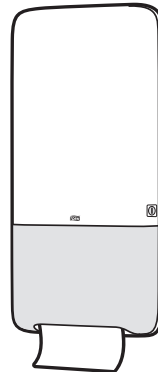
8

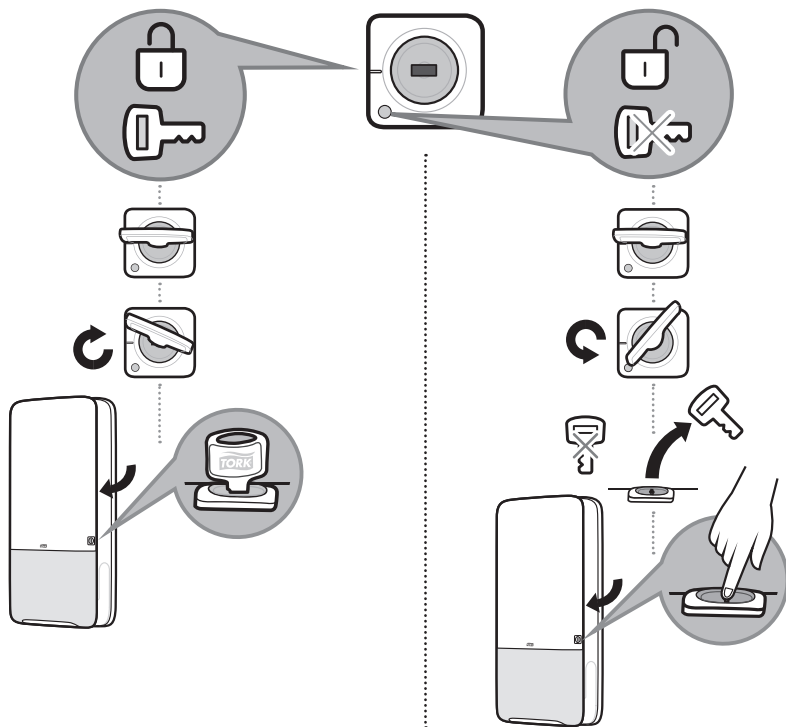


9



10





Disposal

- Damaged or malfunctioning product should be disposed of immediately to avoid potential of injury
- Products should be disposed of in accordance with applicable regulations

Cleaning instructions

- Clean dispenser with mild detergent and soft cloth

European Community Design Registration RCD 000929971