

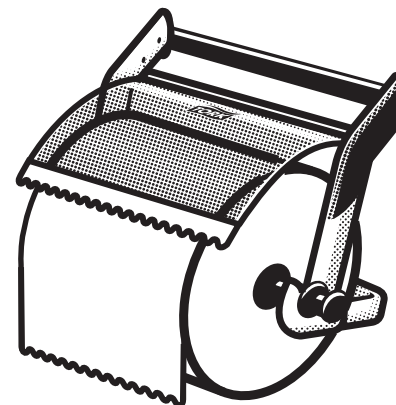
European Community Design Registration RCD 001149447

2012-12-05

Wall Stand

W1

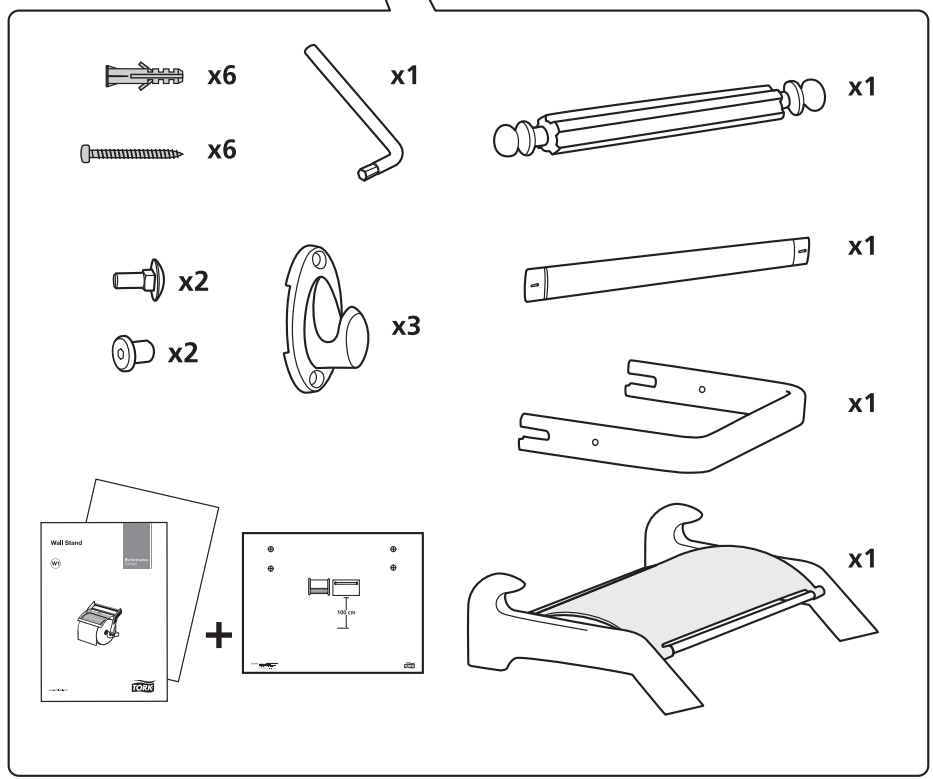
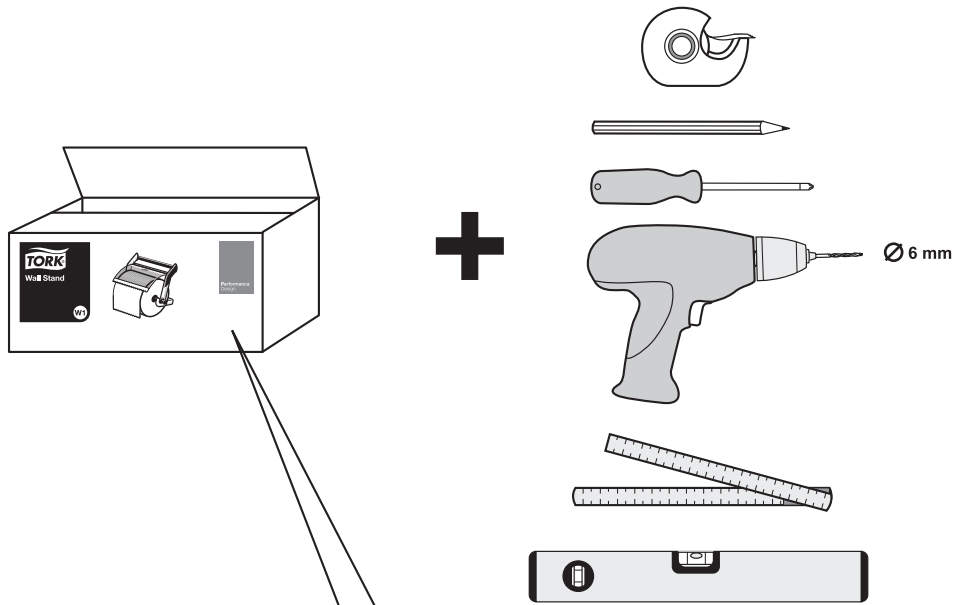
Performance
Design



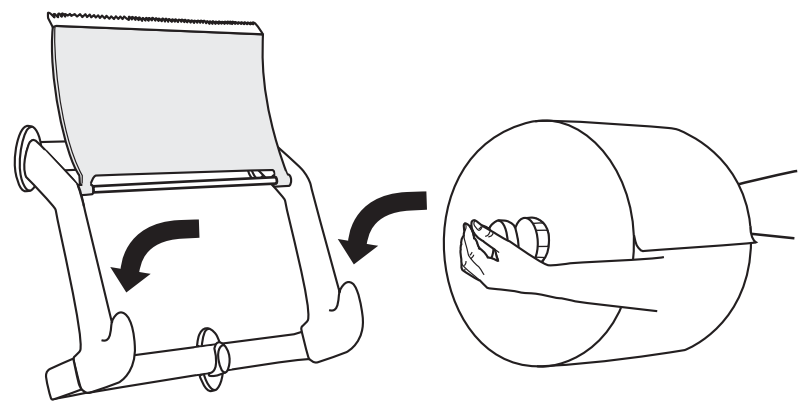
Manufactured by Essity Hygiene and Health AB
SE-40503 Göteborg, Sweden
Visiting address: Mölndals Bro 2, Mölndal
www.essity.com, www.torkglobal.com
Made in China
Patents/Brevets/Patentes: www.essity.com/patents

www.torkglobal.com

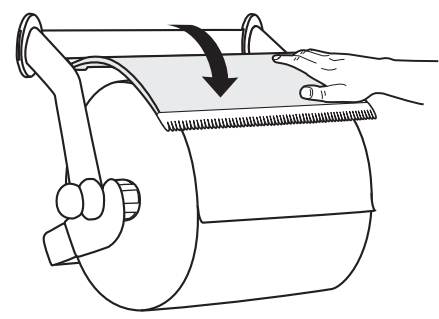




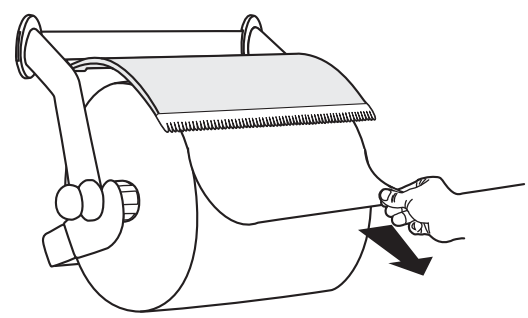
3.

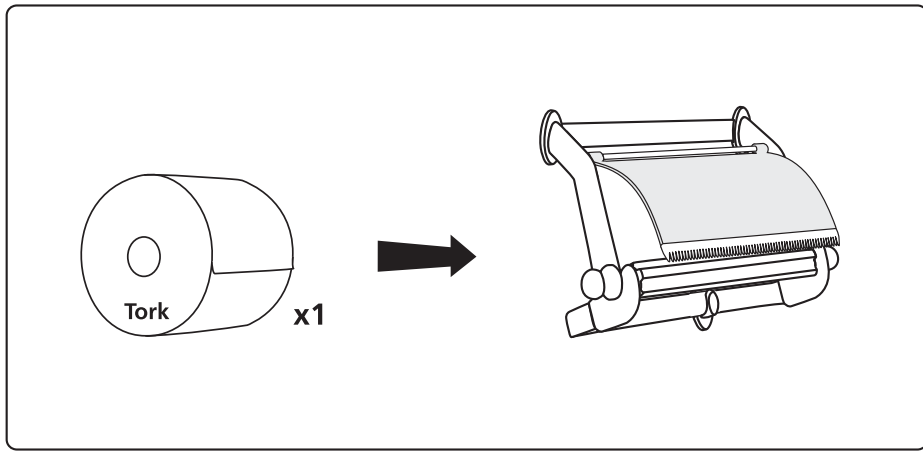


4.

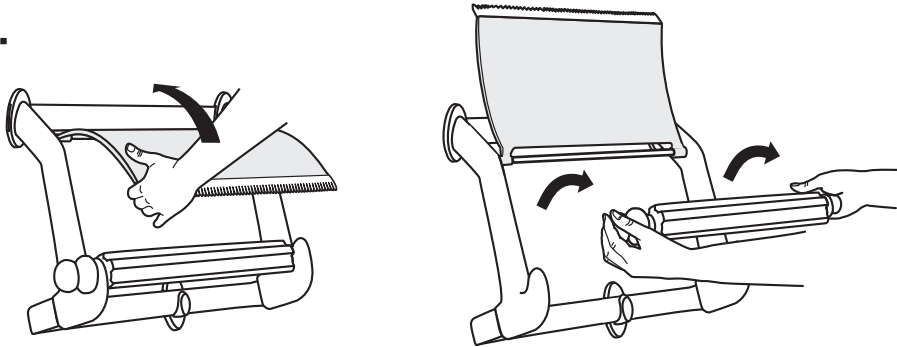


5.

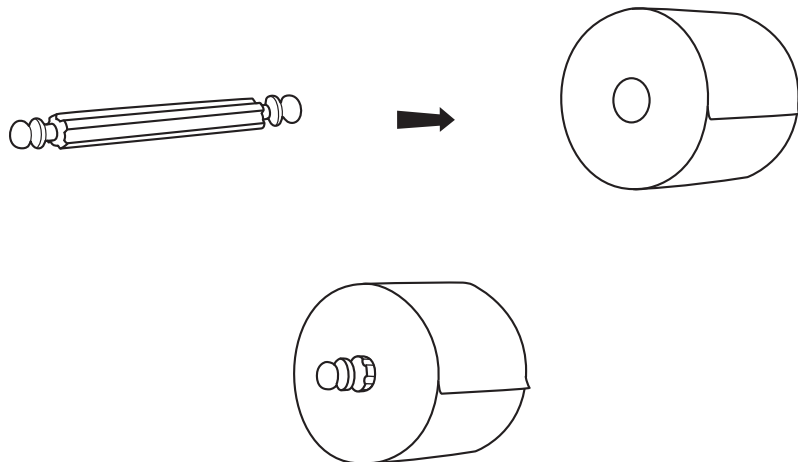




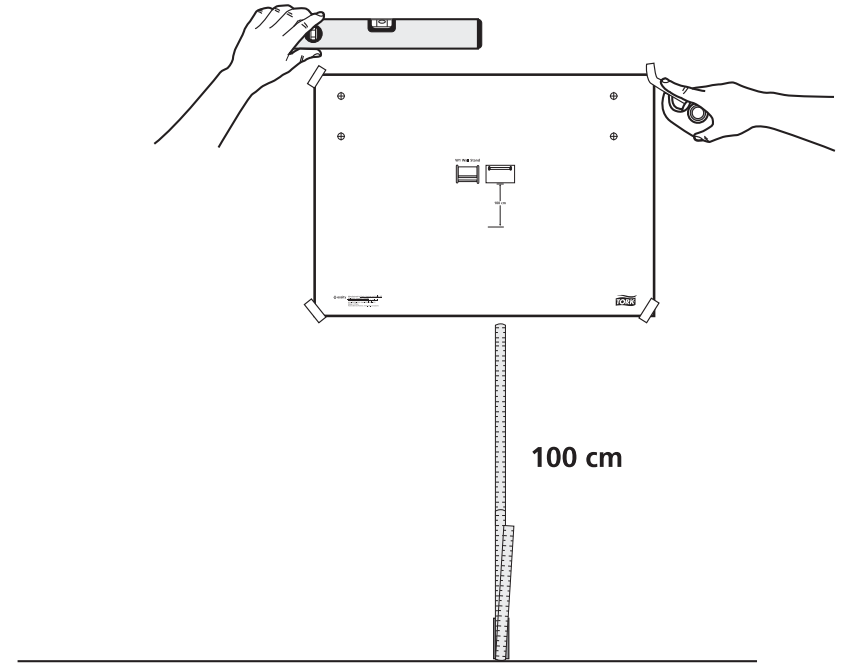
1.



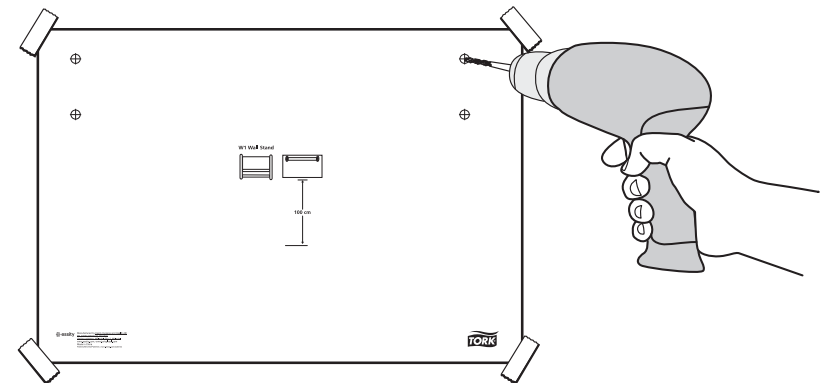
2.



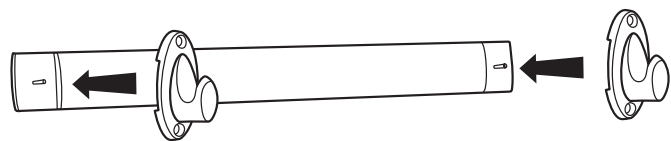
1.



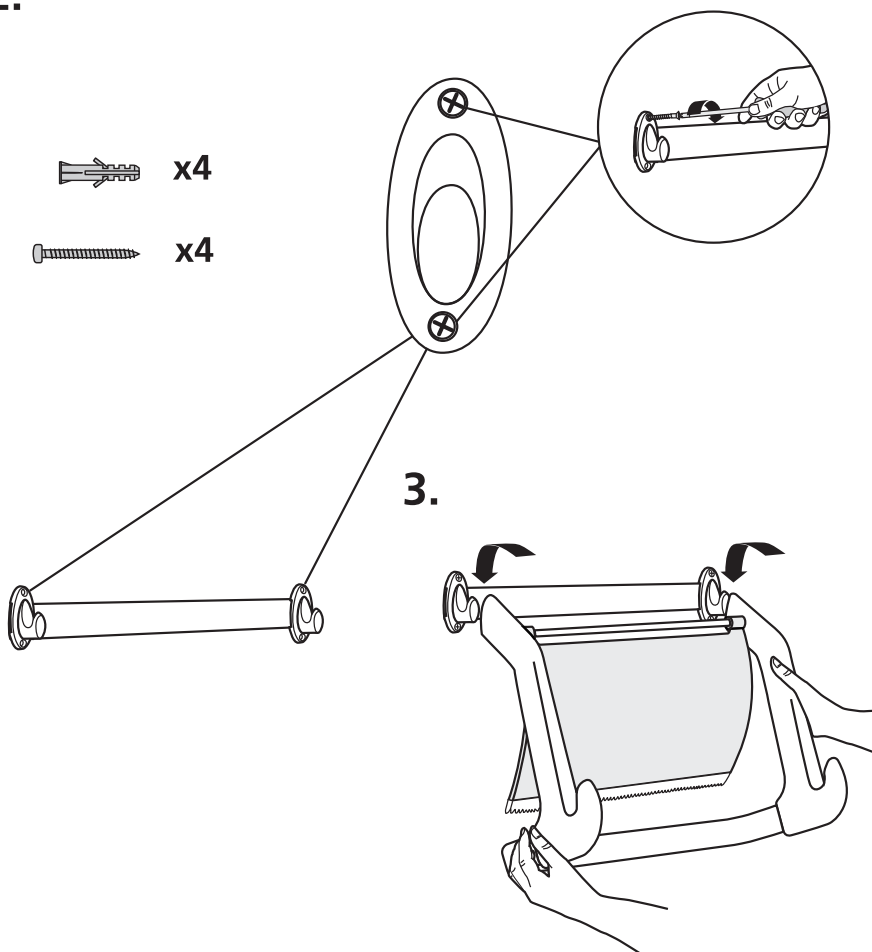
2.



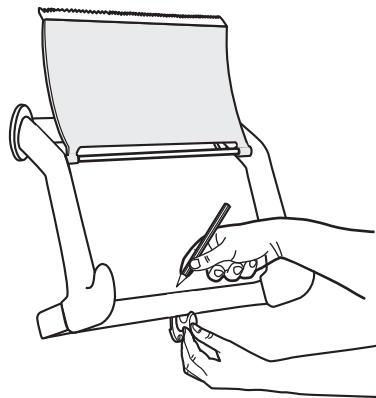
1.



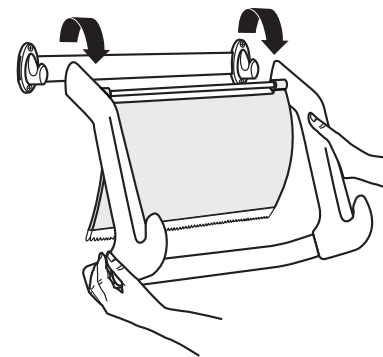
2.



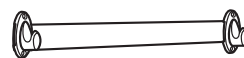
4.



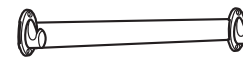
5.



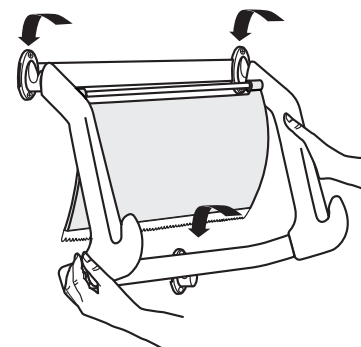
6.



7.



8.



9.

