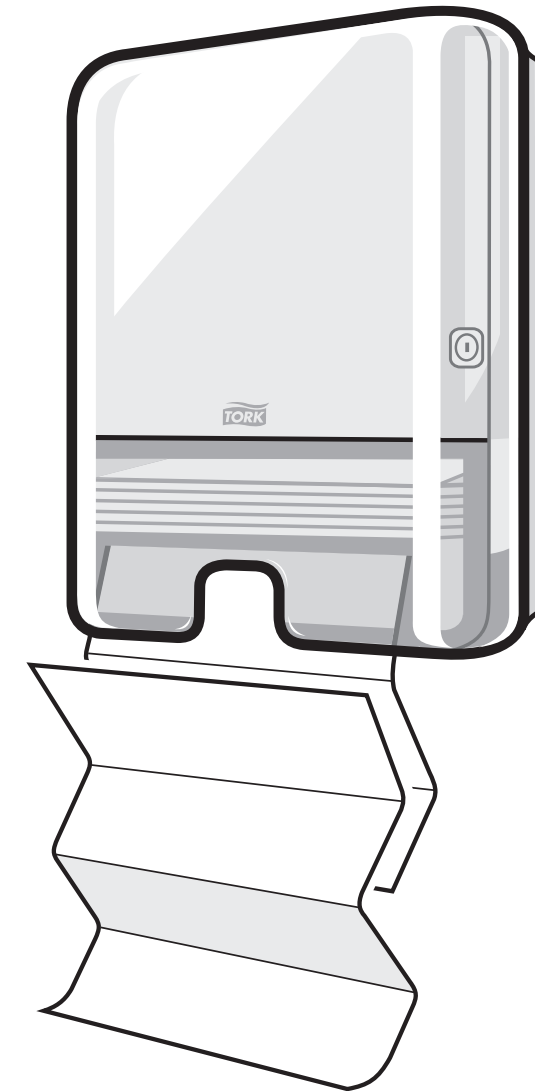


European Community Design Registration RCD 000929971

Elevation
Design

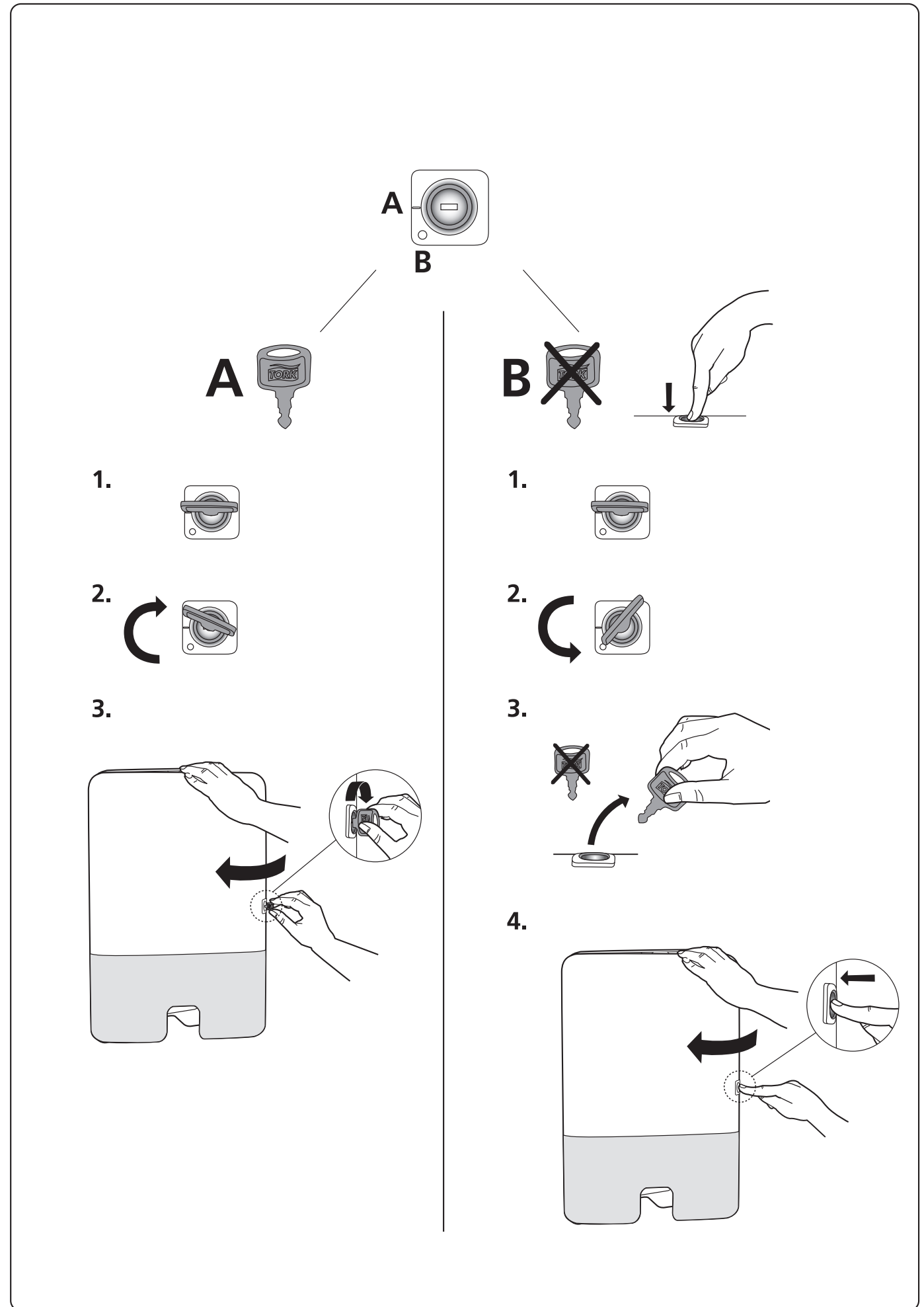
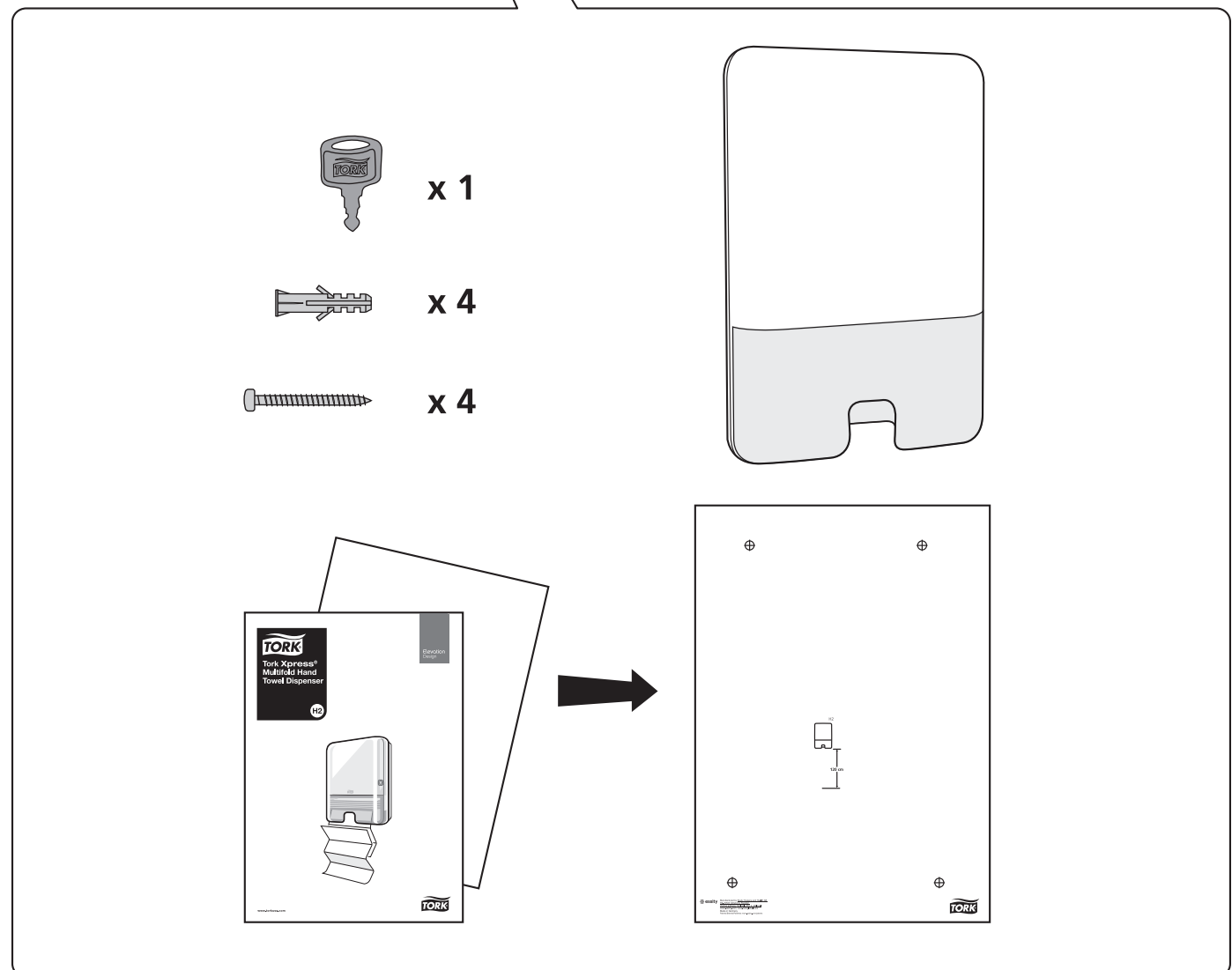
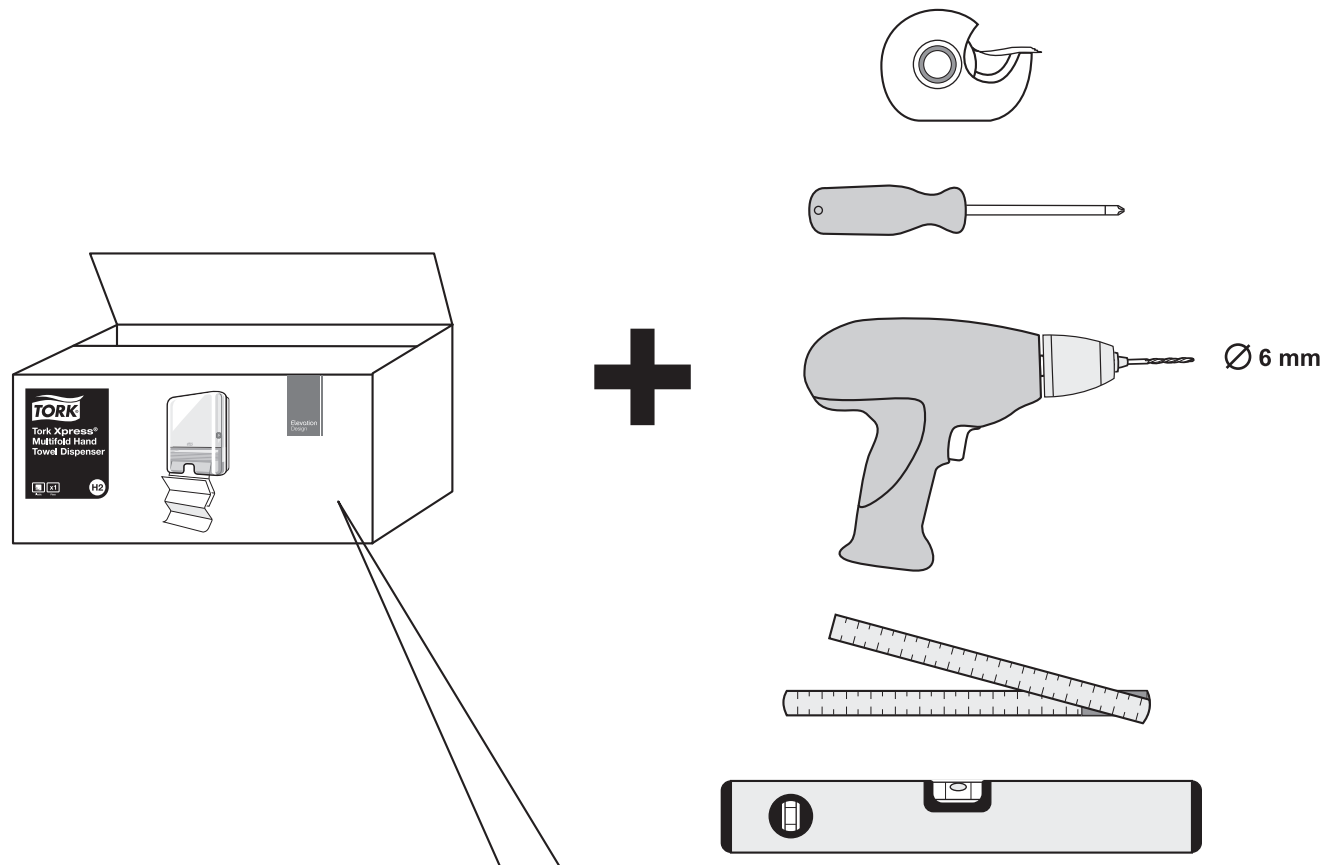


 **essity** Manufactured by Essity Hygiene and Health AB
SE-40503 Göteborg, Sweden
Visiting address: Mölndals Bro 2, Mölndal
www.essity.com, www.torkglobal.com
Made in Germany
Patents/Brevets/Patentes: www.essity.com/patents

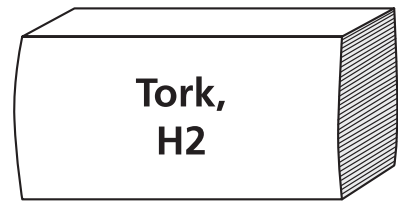
www.torkglobal.com

www.eco-serv.ru

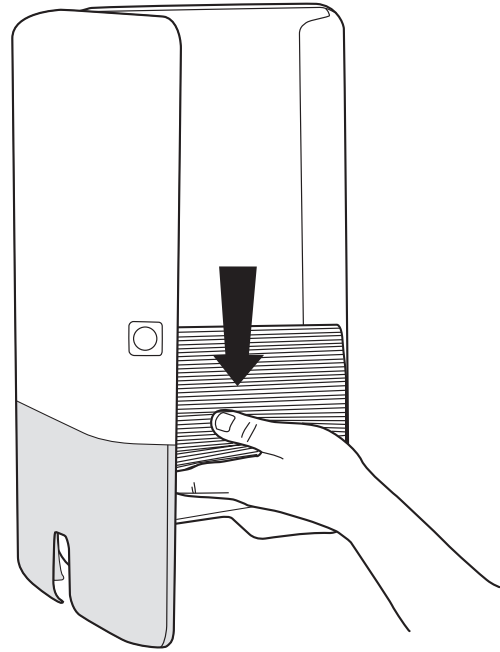




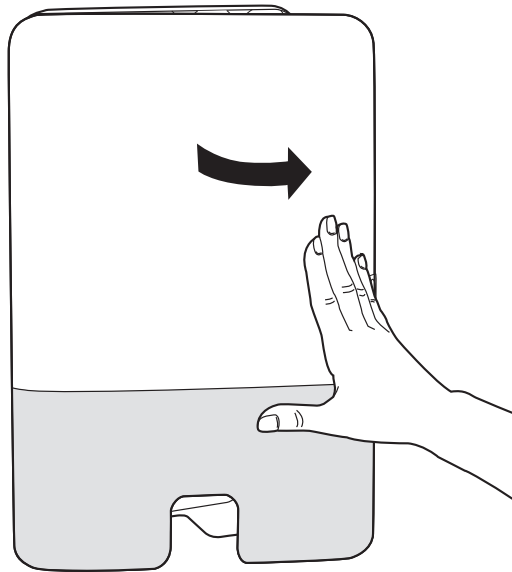
2.



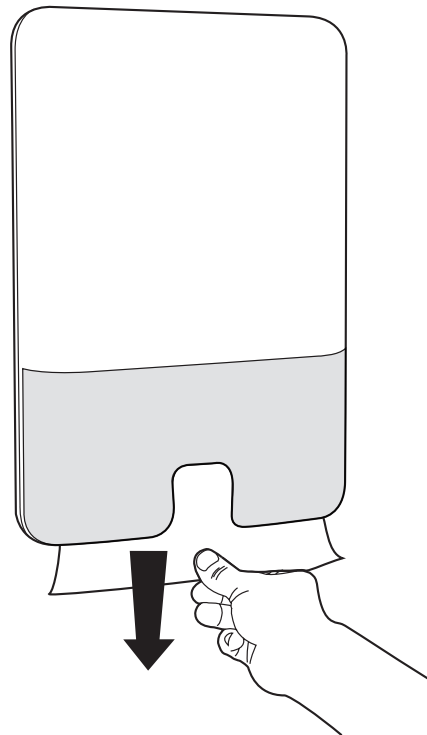
x 2,5



3.

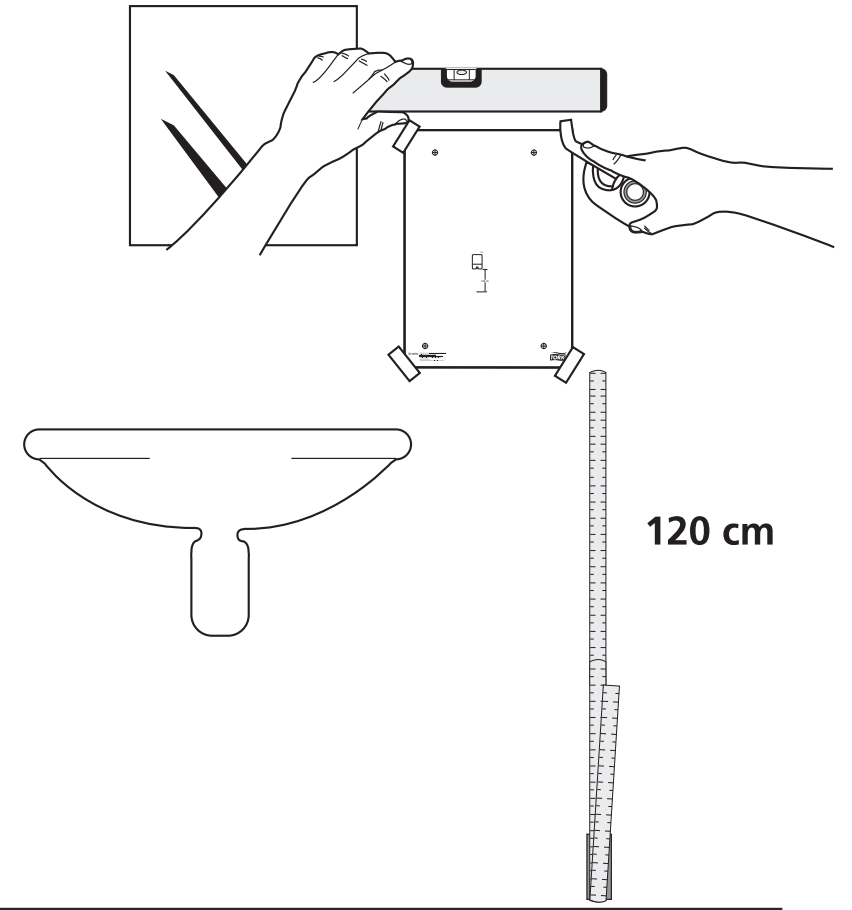


4.

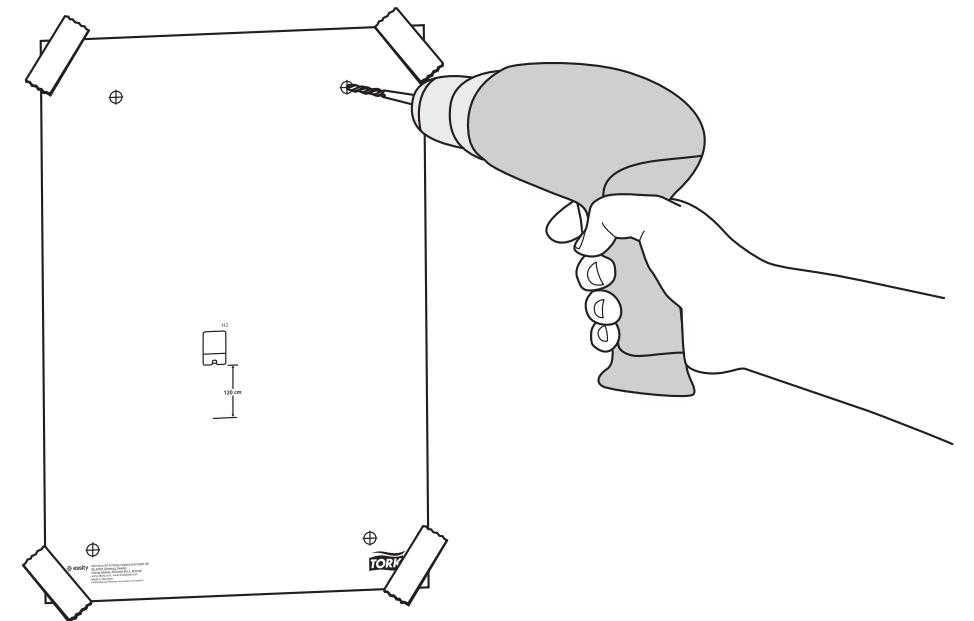


5

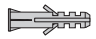

1.

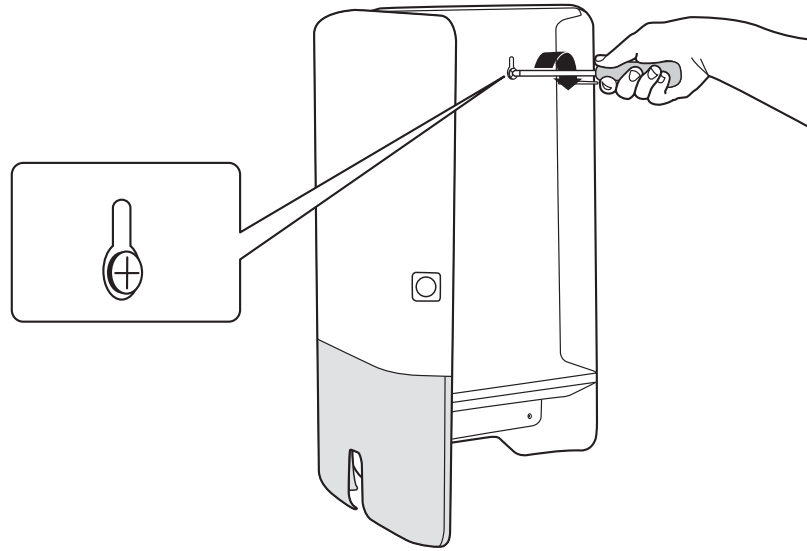


2.

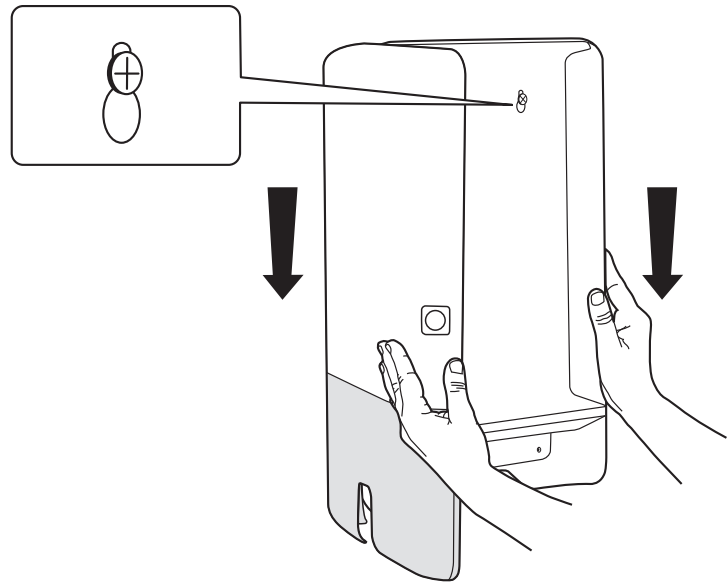


2

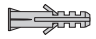

3.  x 2
 x 2

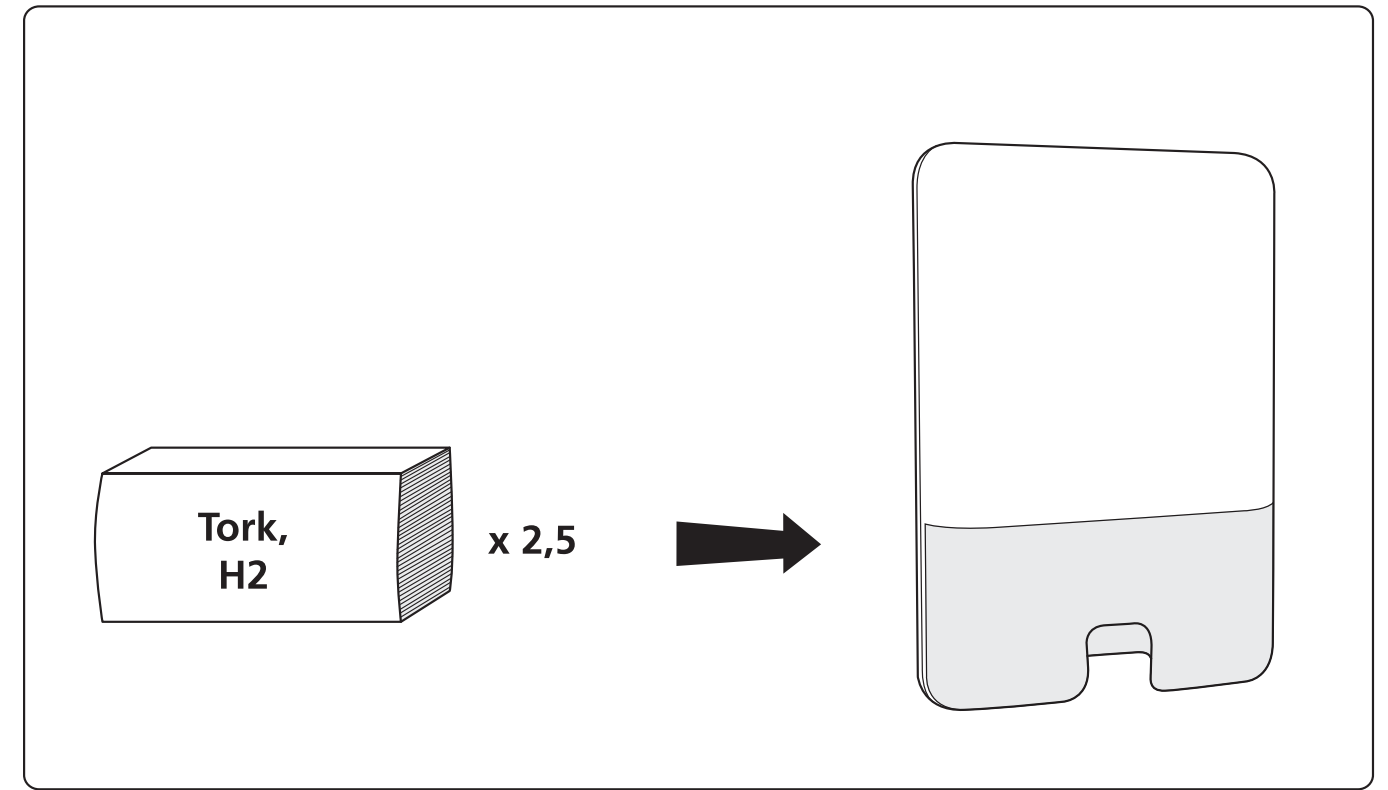
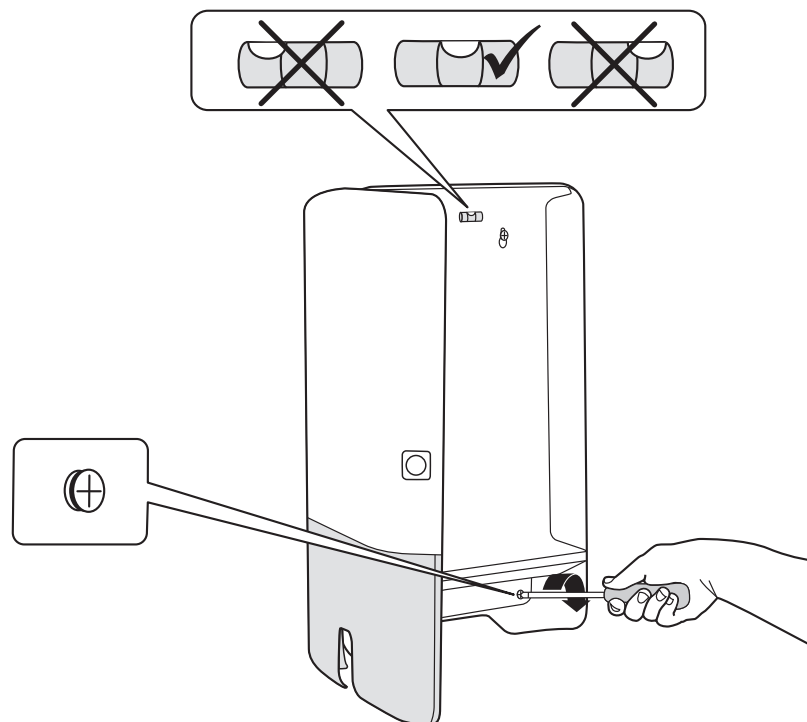


4.



5.

 x 2
 x 2



1.

