

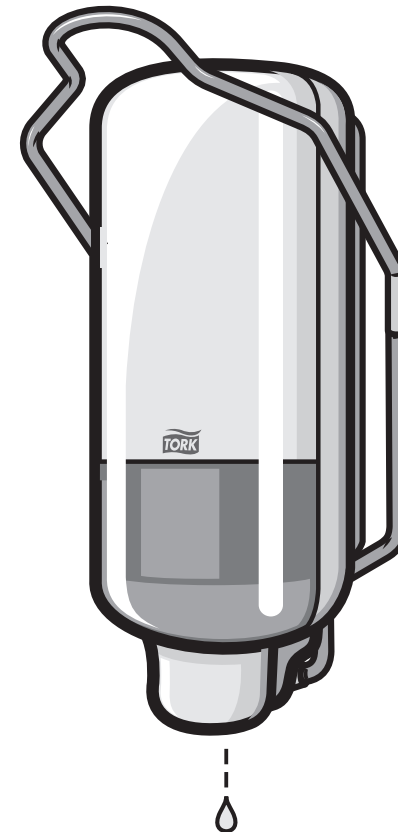
European Community Design Registration RCD 000929971

TORK[®]

Liquid Soap
Dispenser
Arm Lever

S1

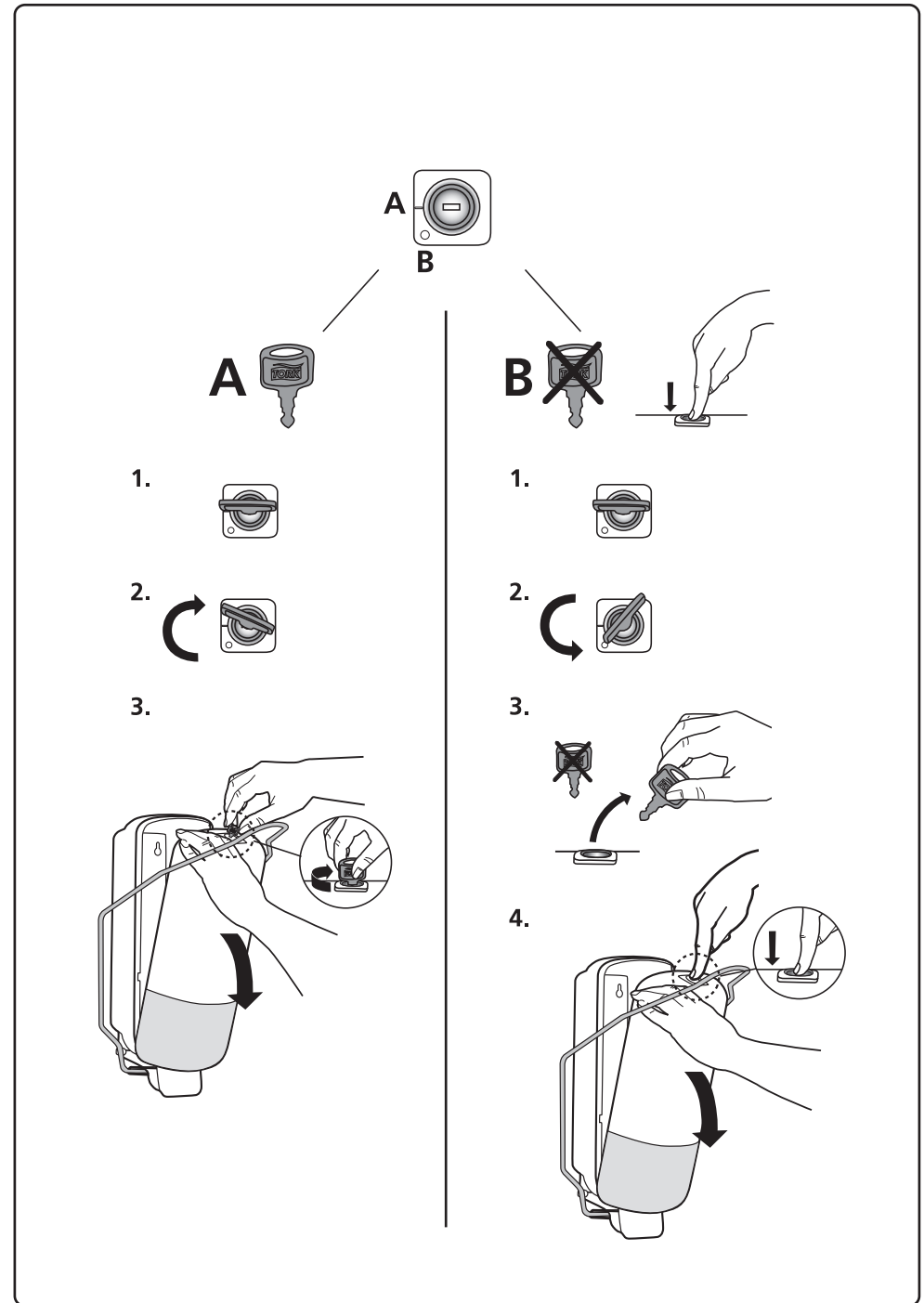
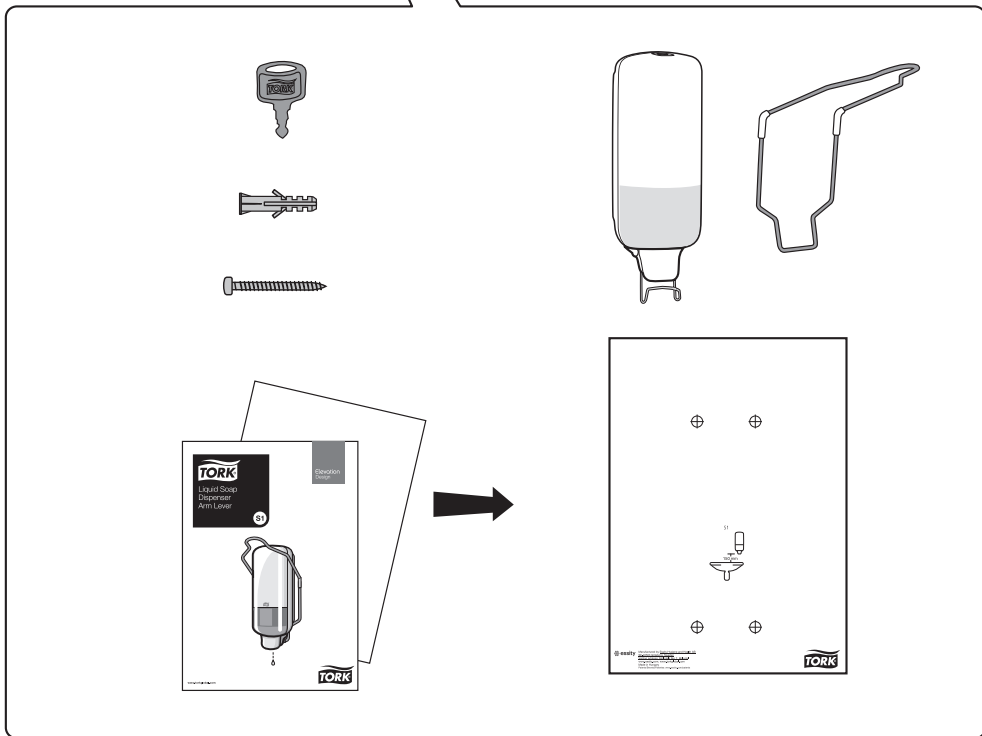
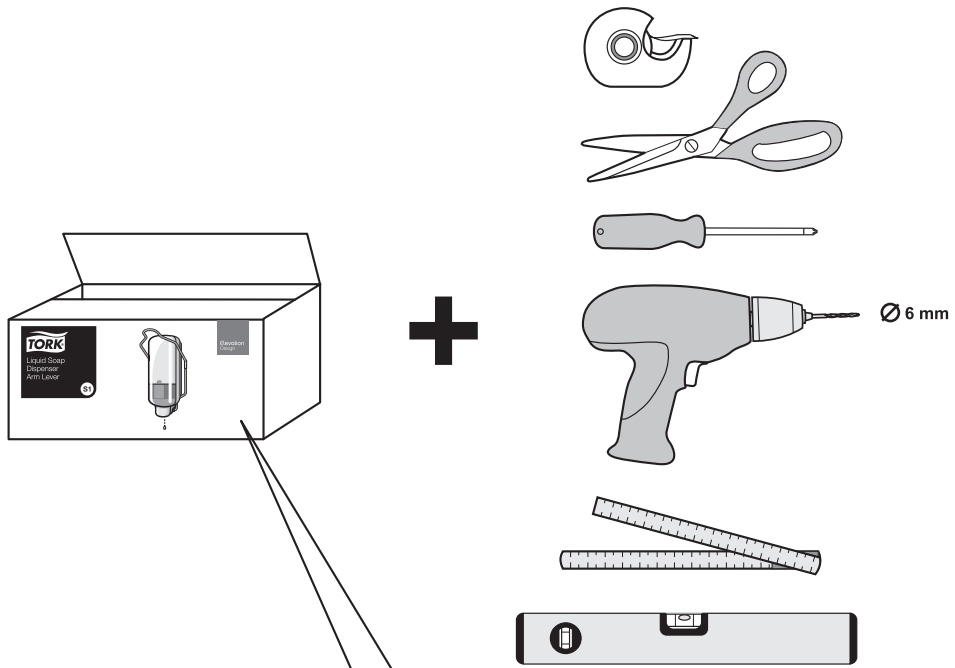
Elevation
Design



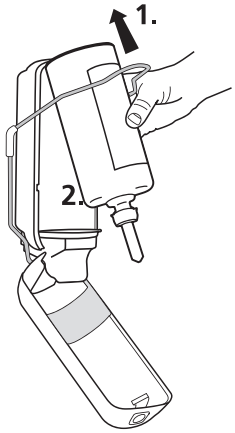
Manufactured by Essity Hygiene and Health AB
SE-40503 Göteborg, Sweden
Visiting address: Mölndals Bro 2, Mölndal
www.essity.com, www.torkglobal.com
Made in Hungary
Patents/Brevets/Patentes: www.essity.com/patents

www.torkglobal.com

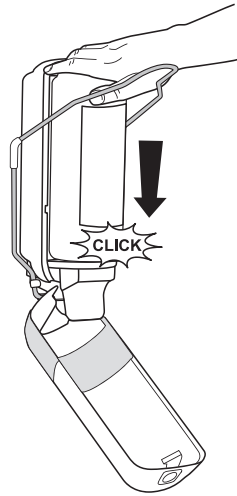
TORK[®]



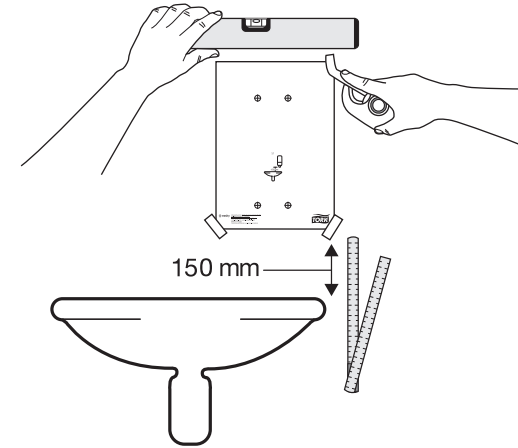
3.



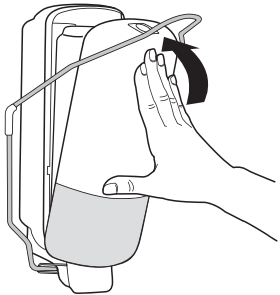
4.



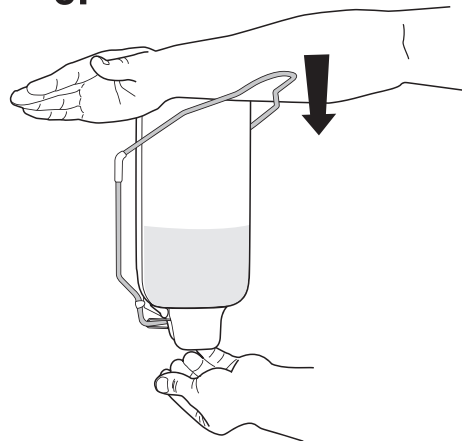
1.



5.



6.



2.

