

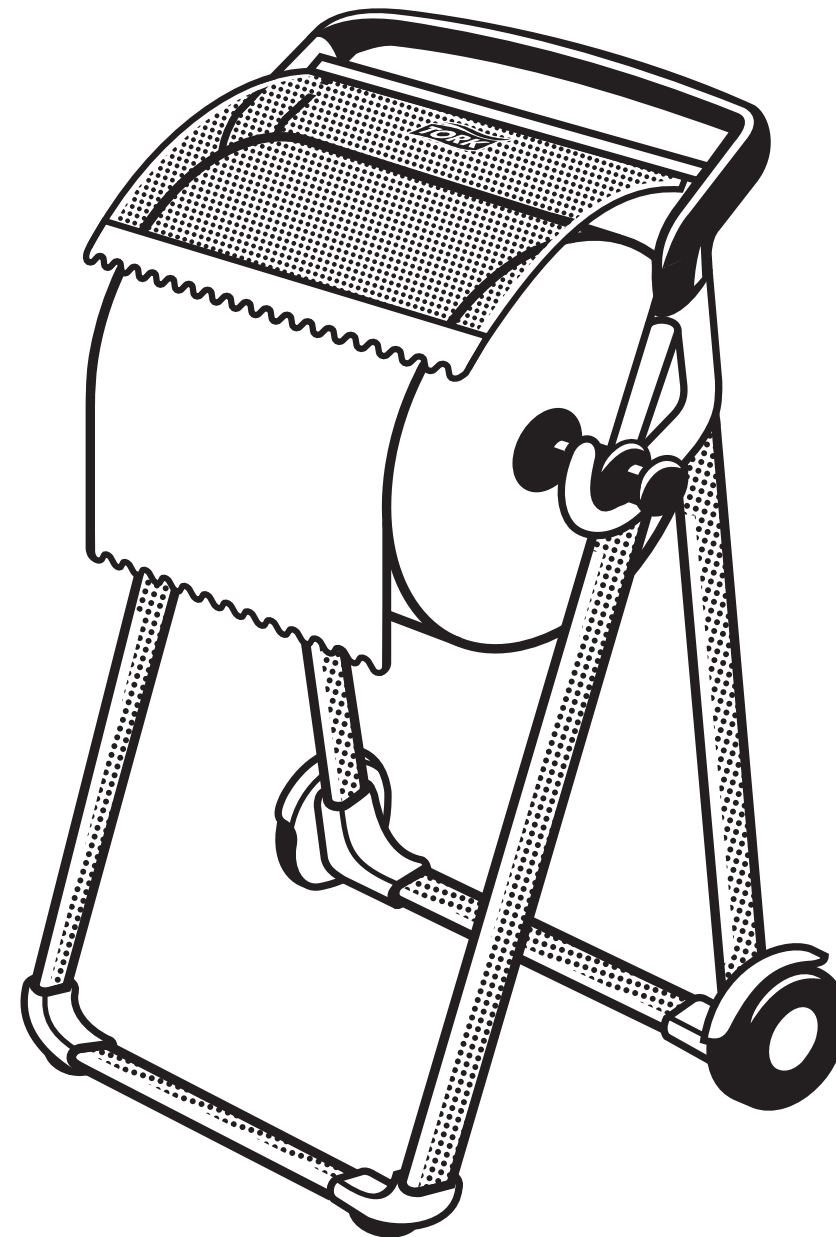
European Community Design Registration RCD 001149447

2012-12-05

Floor Stand

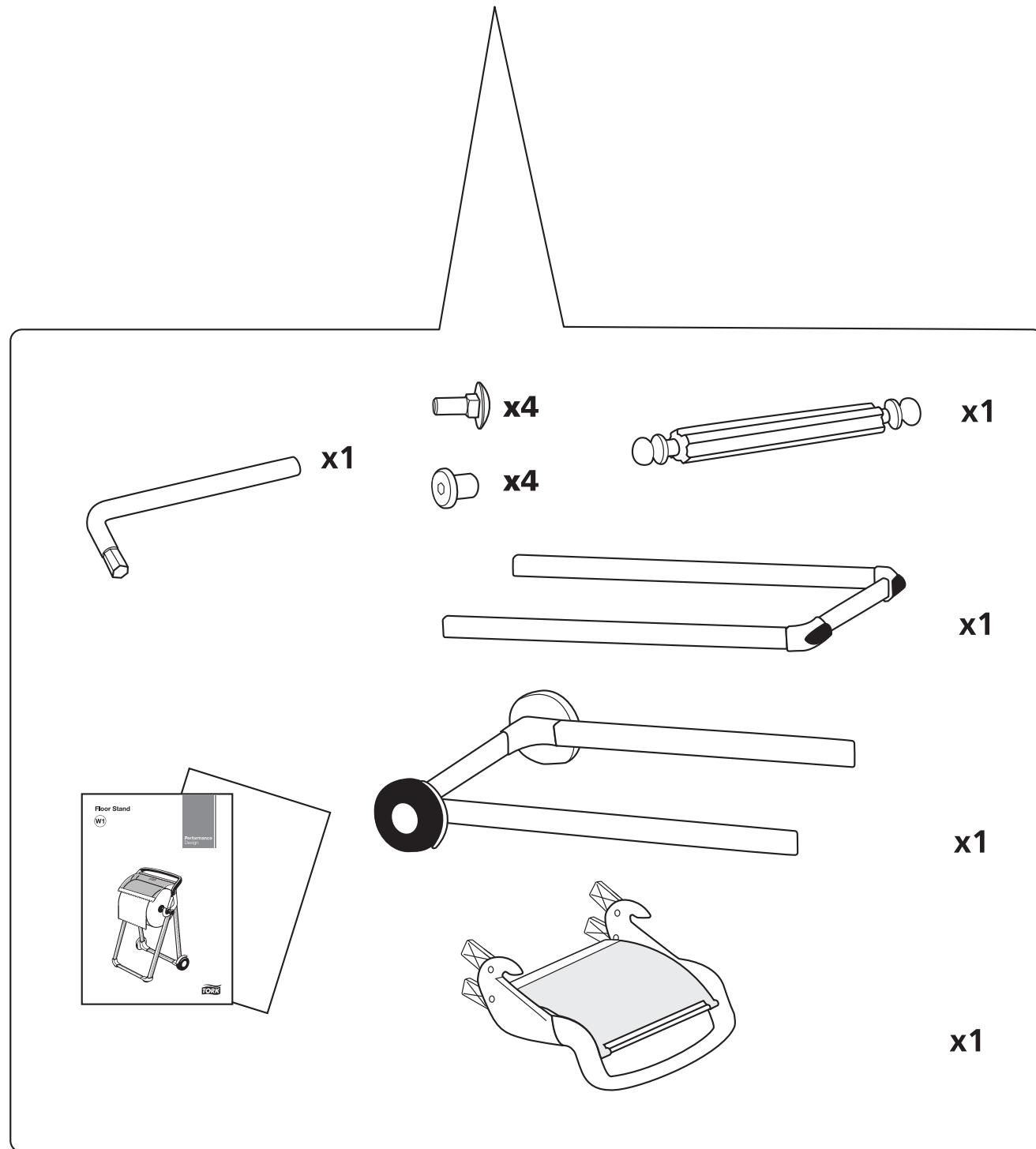
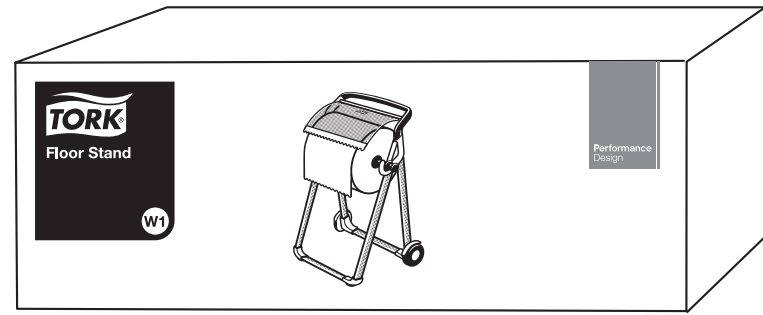
W1

Performance
Design

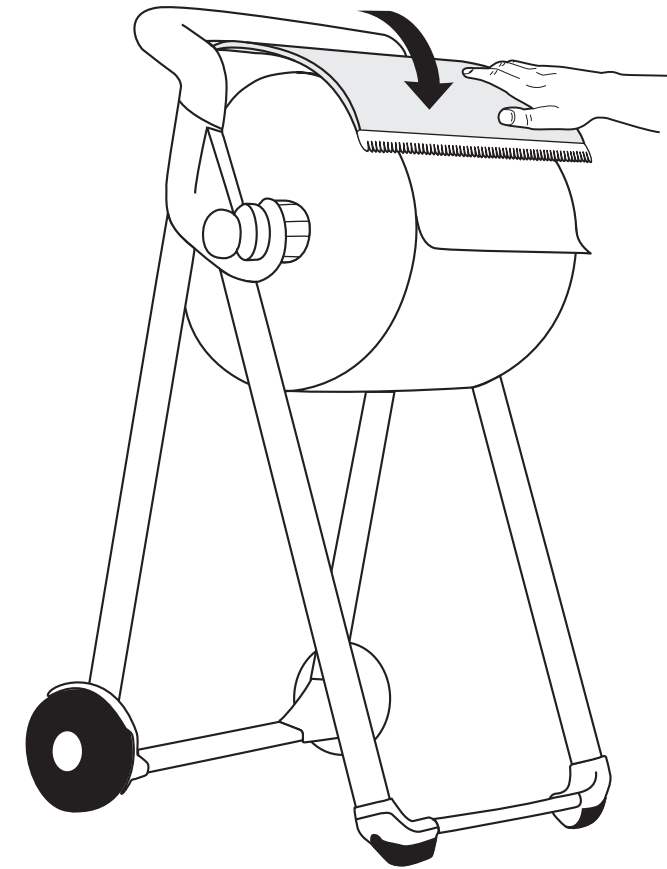


 **essity** Manufactured by Essity Hygiene and Health AB
SE-40503 Göteborg, Sweden
Visiting address: Mölnåls Bro 2, Mölndal
www.essity.com, www.torkglobal.com
Made in China
Patents/Brevets/Patentes: www.essity.com/patents

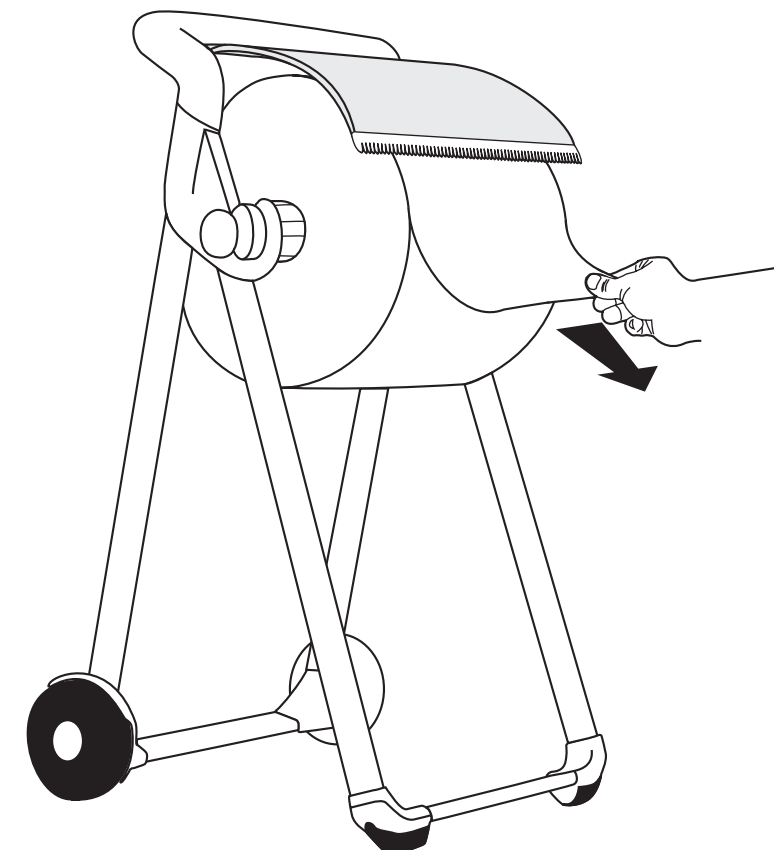
 **TORK**



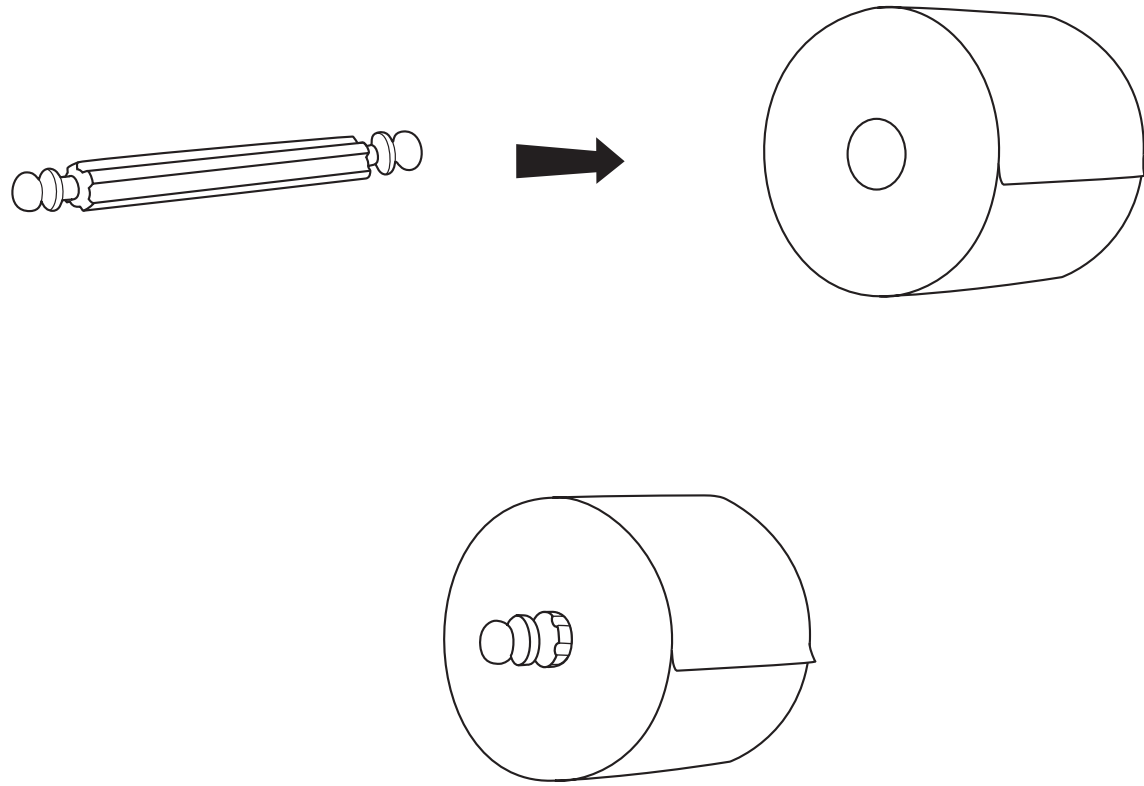
5.



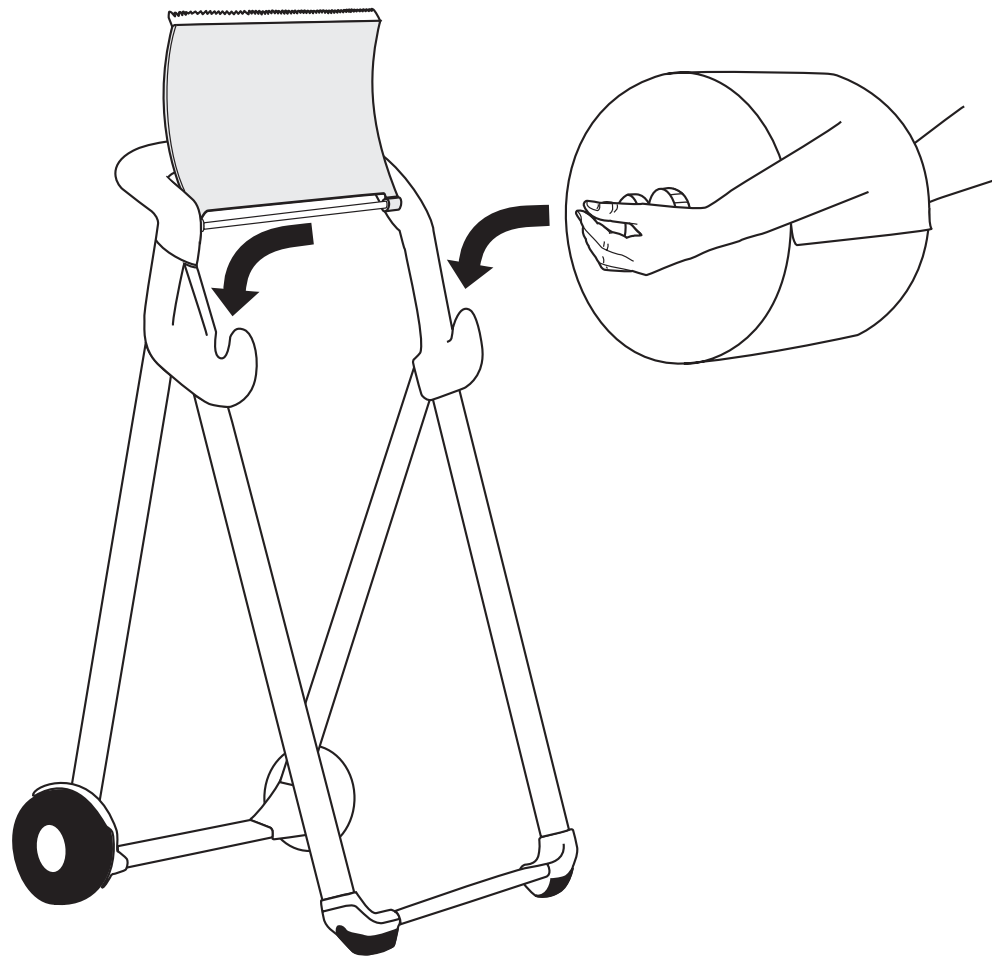
6.



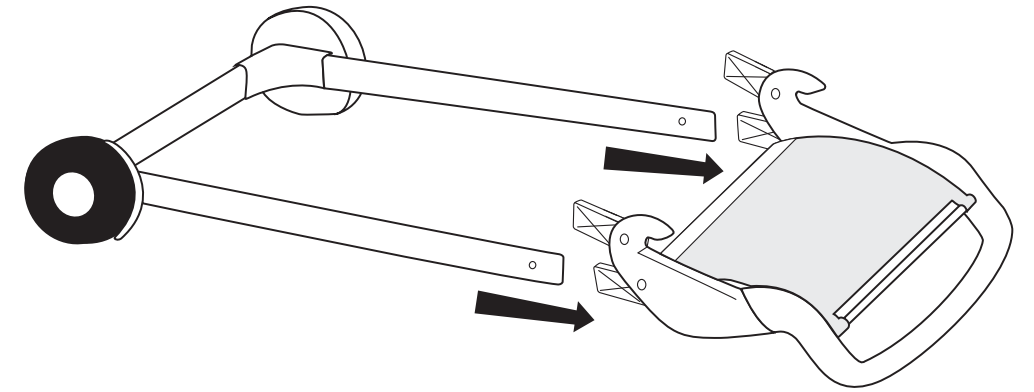
3.



4.

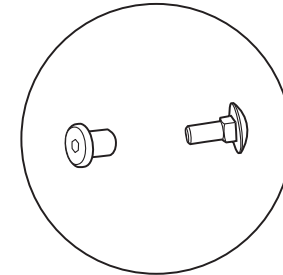


1.

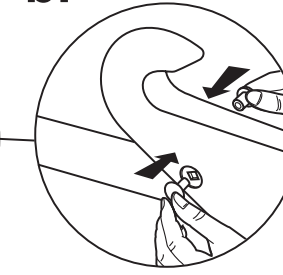


2.

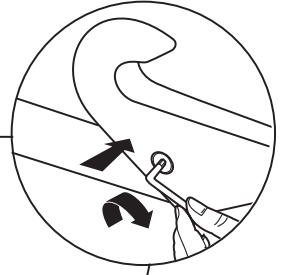
a.



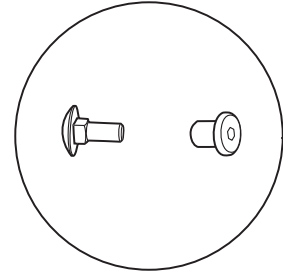
b.



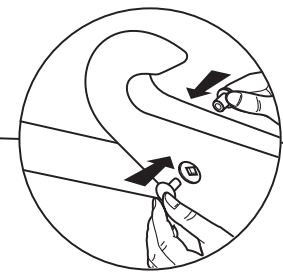
c.



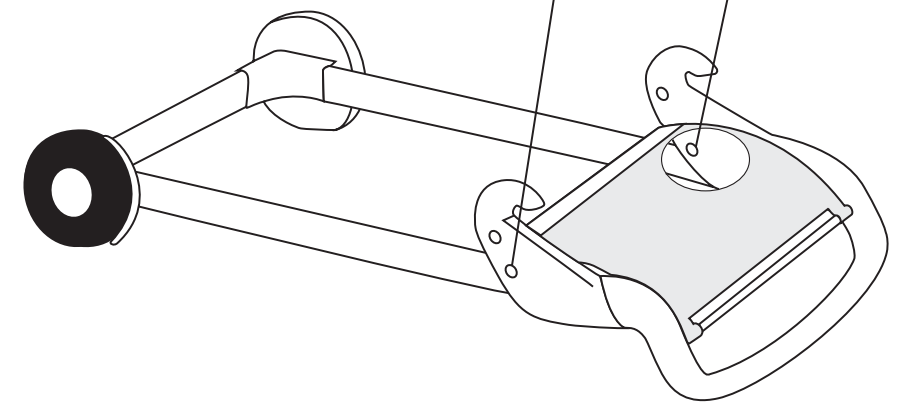
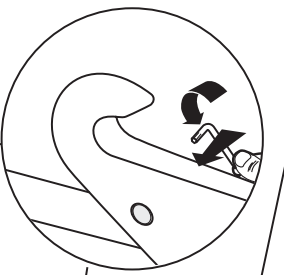
a.



b.



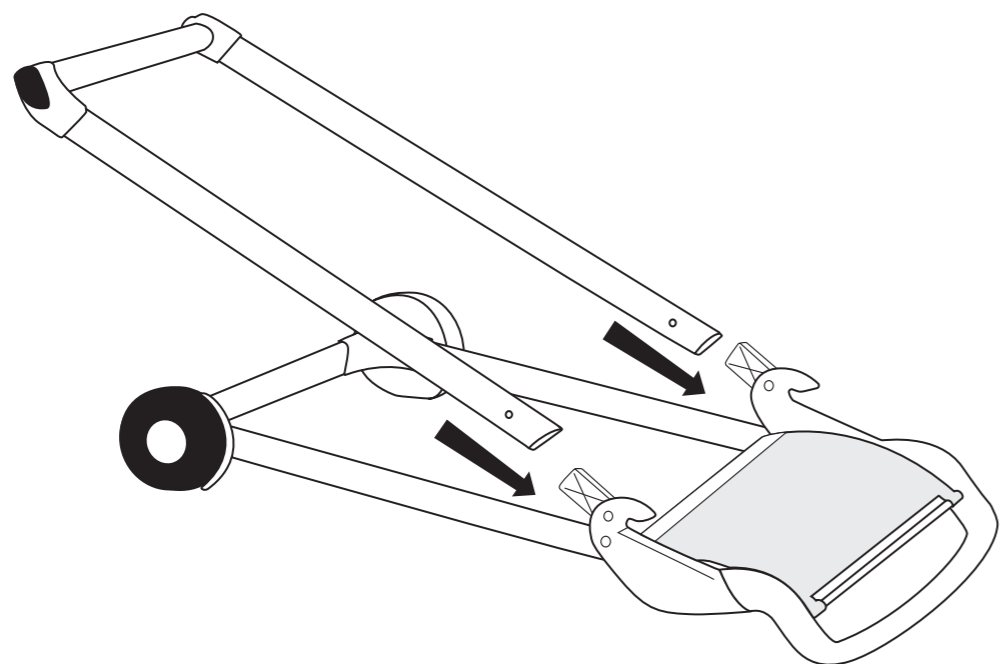
c.



3.

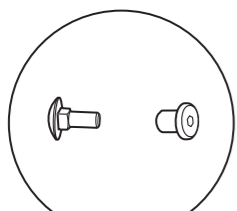
 x2

 x2

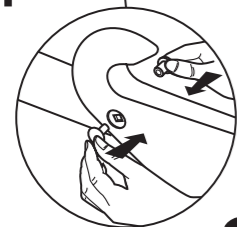


4.

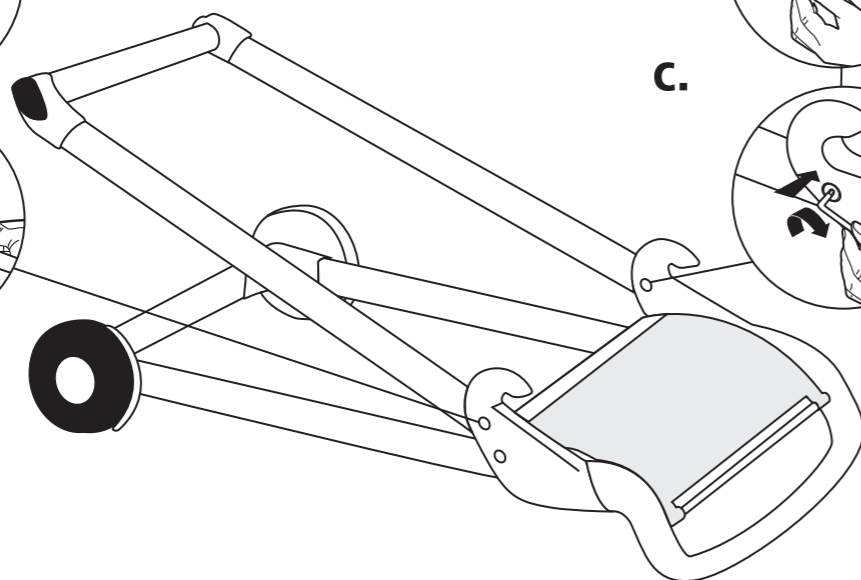
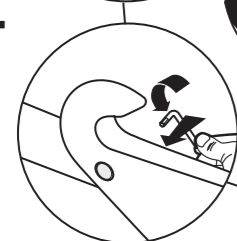
a.



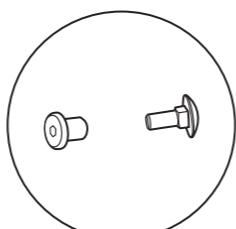
b.



c.



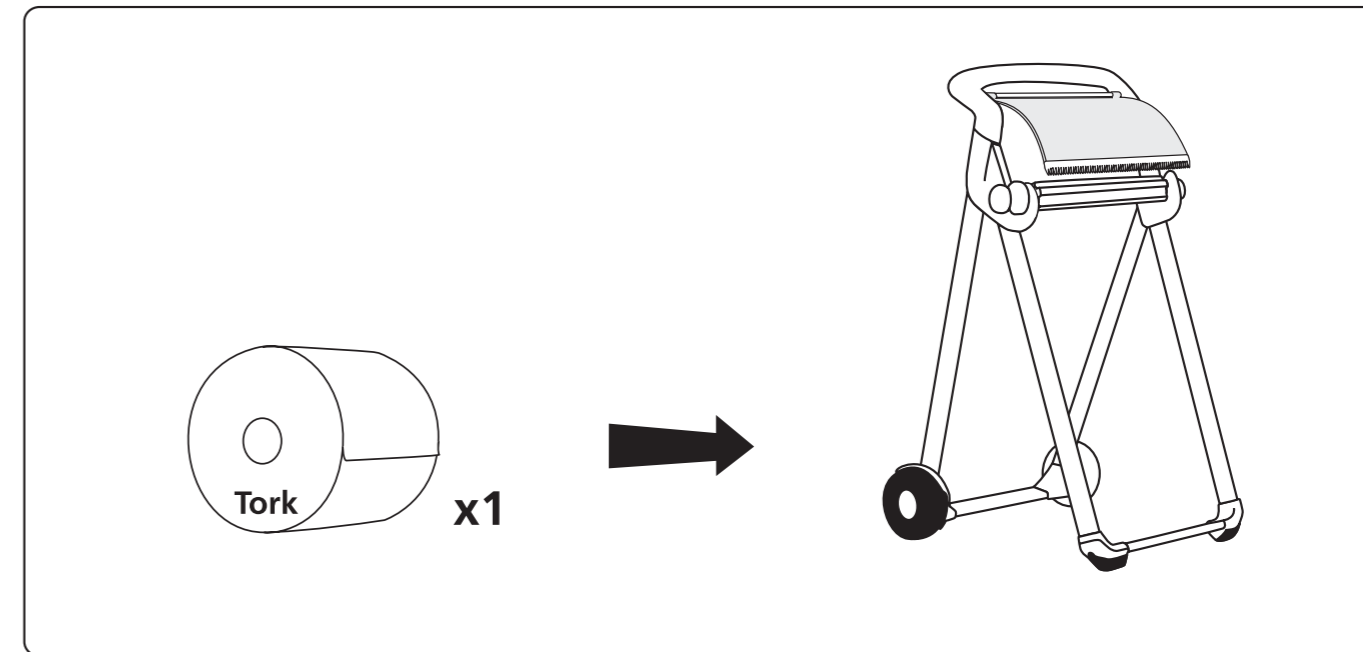
a.



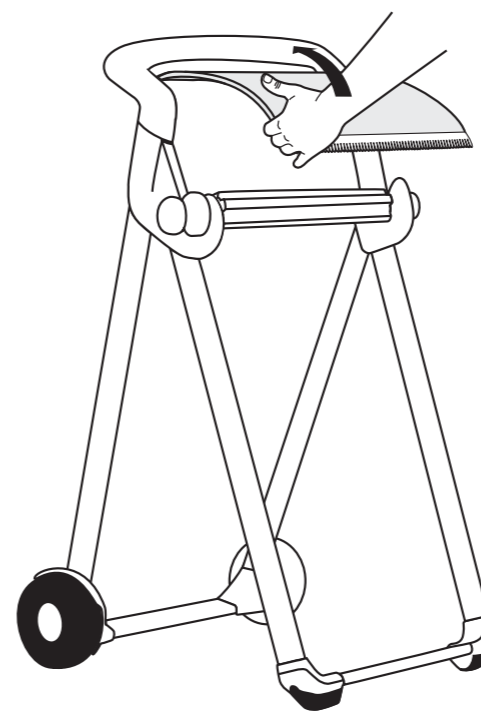
b.



c.



1.



2.

